

MICOS

MOTION CONTROL & OPTICS **USA**

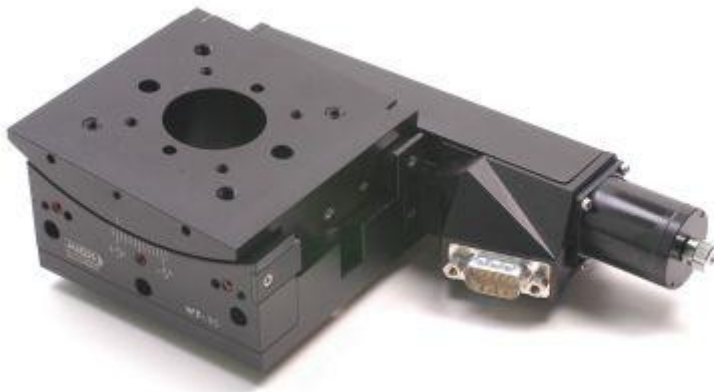
[Terms](#) | [Sitemap](#) | [About us](#) | [Contact](#) | [Catalog](#) | [Shows](#) | [News](#) | [Offices](#) | [Partners](#) | [Press Center](#) | [Support](#) | [Team](#) | [Home](#)

MICOS USA • 15375 BARRANCA PARKWAY • STE G101 • IRVINE • CA 92618 • PHONE 949 480 0538 • FAX 949 480 0538

Page

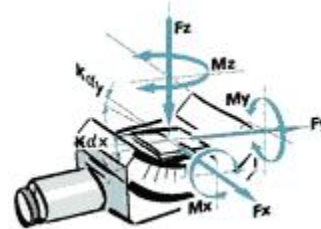
◀ 2.190 ▶ **Goniometer WT-85**

Positioners

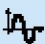


Key features

- ☐ Clear aperture 30 mm
- ☐ Repeatability 0.0002416°
- ☐ Angular scale feedback
- ☐ Tachometer combination
- ☐ Precise, smooth continuous 10° motion
- ☐ Speed up to 15°/sec
- ☐ Single-row ball bearings
- ☐ Special, tempered Aluminium
- ☐ Load up to 2 kg



FACTS

Load Characteristics	Fx (N)	Fz (N)	Mx (Nm)	Mz (Nm)	ka (μrad/Nm)
DC-B-070	15	20	0.75	4	25
2Phase-020 	15	20	0.75	4	25

DESCRIPTION

The **Goniometer Stages WT-85** and WT-100 are designed for all tasks where conventional rotation stages cannot be employed due to limited space conditions. Typical applications are measuring tasks in the field of laser- and radiotechnology. The Goniometer Stages WT-85 and WT-100 are well-suited to each other. Orthogonally mounted they

have a common special center. WT-85 has a 30 mm clear aperture. A very quiet smooth move is guaranteed. Directly driven by DC-, 2-phase step motors high travel speed and resolution can be achieved. WT-85 stages can be equipped with optical angular systems. Resolutions up to 0.0001208 are standard offered. The Goniometer WT-85 is standard equipped with two limit switches. **More pictures ...**



Technical data

Rotation Range (°)	10
Reduction	540:1
Accuracy (°)	+/- 0.01 ... 0.04
Repeatability (°)	+/- 0.0001208 ... 0.004
Reversal Error (°)	+/- 0.0001208 ... 0.0064
Velocity Range (°/sec)	0.001 ... 15
Wobble (µrad)	125

Speed max. (°/sec)	
<u>DC-B-070</u>	15
<u>2Phase-020</u>	7

Resolution Open-Loop (°)	
<u>2Phase-020</u>	0.001 (SMC) 0.002 (FS)

Resolution Closed-Loop (°)	
<u>RE-010</u> , Rotary encoder	0.0002
<u>AE-060</u> , Angular scale	0.0001208

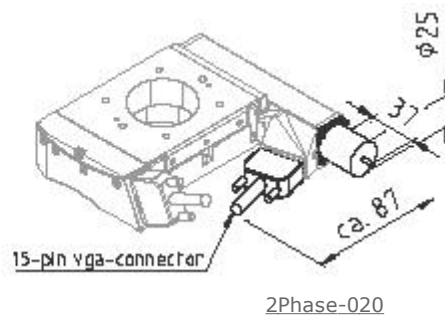
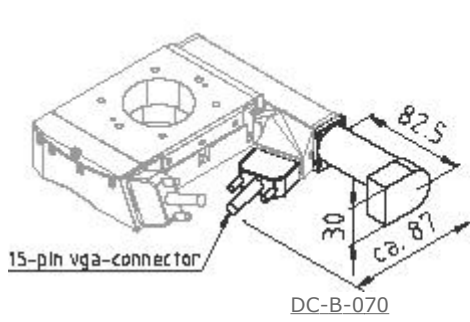
Current (Amps) / Voltage (Volts)	
<u>DC-B-070</u>	0.93 36
<u>2Phase-020</u>	1.2 -

Material	Special Aluminium, black anodized
Weight (kg)	0.9

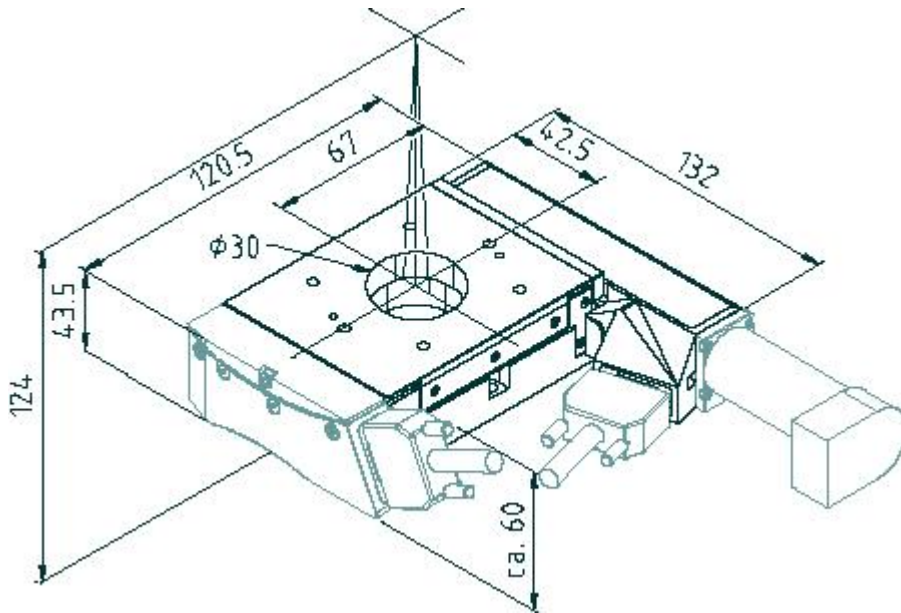
Note: (SMC): Micro-Step Mode, (FS): Full-Step 2Phase

More info: Detailed information, concerning motor and connectors, see: Appendix

WT-85 Motors



WT-85 Base



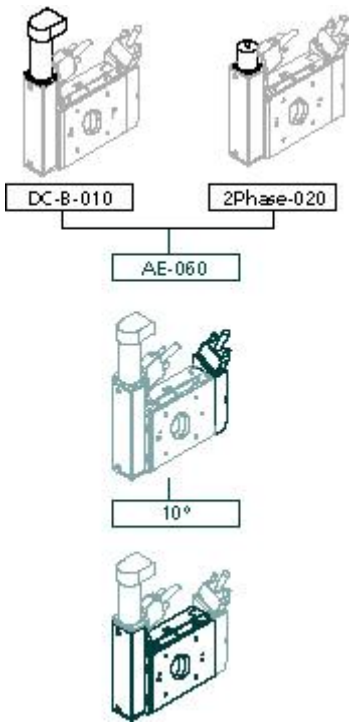
Rotation range
10°

[Download PDF](#)

WT-85 Ordering information

DC-B-070	1
2Phase-020	2

without AE-060	1
AE-060, Angular steel scale	2



6540-9- 0

Founded in 1990, MICOS specializes in the development, manufacturing and marketing of ultra-high precision positioning components and systems for research and industry. We are experts in vacuum, ultra-high vacuum, clean room, and extreme climate environments down to 77 Kelvin. ▶▶

[Terms](#) | [Sitemap](#) | [About us](#) | [Contact](#) | [Catalog](#) | [Shows](#) | [News](#) | [Offices](#) | [Partners](#) | [Press Center](#) | [Support](#) | [Team](#) | [Home](#)
MOTION CONTROL = [Systems](#) | [Positioners](#) | [MiniPositioners](#) | [DirectDrives](#) | [Controllers](#) | [ManPositioners](#) | [Accessories](#) | [Vacuum](#)
MAC PhotonX = [Moskito](#) | [Albatros](#) | [Campus](#)

Copyright 2006 © MICOS GmbH